

Specifications

SMART Board® interactive whiteboard system

Model SB885ix3

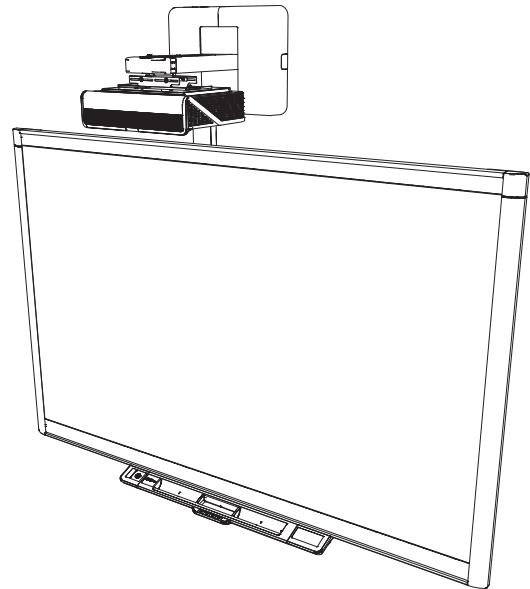
Overview

Your SMART Board® SB885ix3 interactive whiteboard system combines the use of SMART Board 800 series interactive whiteboard and a SMART U100w projector along with other accessories and optional equipment.

The SMART U100w projector provides an ultra-bright high resolution wide screen image on a short boom delivering high definition, high performance interactivity that is virtually free of shadows or glare. You can do everything you can do at your computer—open and close applications, meet with others, create new documents or edit existing ones, visit websites, play and manipulate video clips and more—just by touching the interactive surface. Four users can draw on the interactive surface at the same time, and you can use an array of gestures within applications.

The SB885ix3 system supports video and audio from a variety of devices, including DVD and Blu-ray™ players, document cameras, and other high-definition sources, and is displayed on the interactive screen. All HDMI® 1.4 inputs are HDCP compliant.

See smarttech.com for more information on this product.

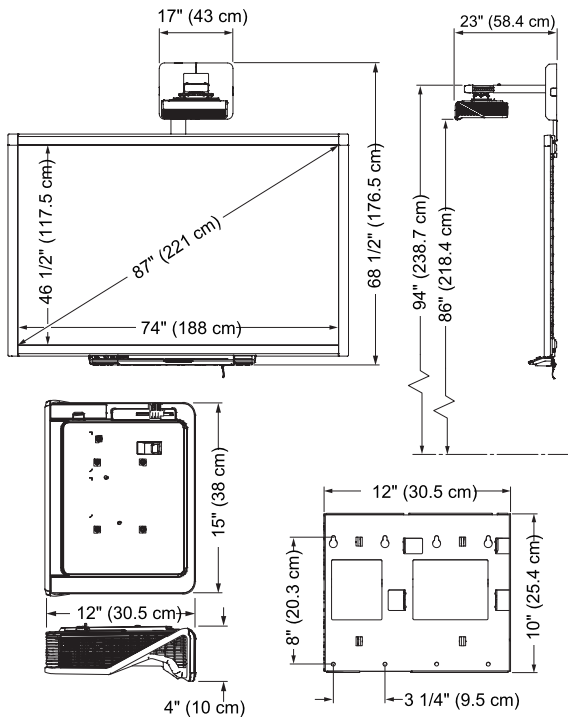


SPECIFICATIONS

SMART BOARD® INTERACTIVE WHITEBOARD SYSTEM – MODEL SB885IX3

Dimensions and weights¹

Dimensions



SMART Board 885 interactive whiteboard

Weight

55 lb. (25 kg)

Shipping dimensions

4 1/2" W × 55 7/8" H × 88 1/2" D
(11.4 cm × 141.9 cm × 224.8 cm)

Shipping weight

68 lb. 4 oz. (31 kg)

Accessory Kit (includes pen tray)

Weight

12 lb. (5.5 kg)

Shipping dimensions

40 1/8" W × 7" H × 3 7/8" D
(102 cm × 17.7 cm × 9.8 cm)

SMART U100 projector

Weight (projector only)

10 lb. (4.5 kg)

Weight (projector and boom)

22 lb. (10 kg)

Shipping weight (projector)

13 lb. 6 oz. (6.1 kg)

Shipping dimensions (projector)

15 1/2" W × 8 1/2" H × 19 1/2" D
(39.5 cm × 21.5 cm × 49.5 cm)

Shipping weight (boom)

14 lb. 8 oz. (6.6 kg)

Shipping dimensions (boom)

18 1/2" W × 12 3/4" H × 11 1/8" D
(46.8 cm × 32.4 cm × 28.2 cm)

Projector dimensions

15" W × 4" H × 12" D
(38 cm × 10 cm × 30.5 cm)

Extended control panel (ECP)

Dimensions

6 5/8" W × 2 1/8" H × 4 5/8" D
(16.8 cm × 5.5 cm × 11.9 cm)

Weight

5 lb 11 oz. (2.6 kg)

Shipping dimensions

16 1/2" W × 14" H × 3" D
(41.9 cm × 35.6 cm × 7.6 cm)

Remote control

Dimensions

1 5/8" W × 3 3/8" H × 1/4" D
(4.1 cm × 8.6 cm × 0.6 cm)

¹All dimensions ± 1/8" (0.3 cm). All weights ± 2 lb. (0.9 kg).

Hardware

Projector

| | |
|-------------------------------|--|
| Brightness (standard) | 3600 lumens 260 W mode at a CCT of 6500 K by the IEC method |
| Brightness (economy) | 2880 lumens 220 W mode at a CCT of 6500 K by the IEC method |
| Native resolution | WXGA 1280 × 800 and 1280 × 720 |
| Aspect ratio | 16:10 |
| Throw ratio | Short throw 0.27:1 ratio |
| Throw distance | 10" (24.3 cm) |
| Display technology | The projection engine uses DLP® technology by Texas Instruments™, providing BrilliantColor™ performance and quality Gamma 2.2 correction with Bright Room, Dark Room, sRGB, User and SMART Presentation modes. Philips® ImageCare™ lamp control technology extends lamp life. ² |
| Lamp life | 5000 hours in Standard 260 W mode. 6500 hours in Economy 220 W mode (ImageCare on). 3000 hours in Standard 260 W mode. 5000 hours in Economy 220 W mode (ImageCare off). |
| Integrated loud speaker | 9 W rms |
| Projector noise | 35 dBA (high fan speed) or 32 dBA (standard fan speed), measured using the JIS method |
| Contrast ratio (typical) | 2900:1 |
| Video system compatibility | HDTV (720p and 1080i) video system compatibility and HD Ready (HDMI technology and 720p) available, NTSC, NTSC 4:43, PAL, PAL-N, PAL-M and SECAM (480i/p and 576i/p) |
| Video interface compatibility | HDCP compliant HDMI, Composite, VESA® RGB with additional interface support for Component YPbPr and Component YCbCr inputs with the proper adapters (not included) |
| Horizontal frequency | 15 kHz–72 kHz |
| Vertical frequency | 15 Hz–75 Hz |
| Clock frequency | 165 Mhz |
| External management | Infrared remote control, RS-232 control port, internal web page, Crestron® RoomView® management via Ethernet |



| | |
|------------------|--|
| Theft protection | Projector system padlock ring and Kensington security slot |
|------------------|--|

Interactive whiteboard

| | |
|------------------|-------------|
| Touch resolution | 4000 × 4000 |
|------------------|-------------|

²Estimates of extended hours using ImageCare technology apply in specific classroom usage scenarios: Maximum 6 hours per day, 5 days a week, 200 days per year with a mix of static and moving images.

SPECIFICATIONS

SMART BOARD® INTERACTIVE WHITEBOARD SYSTEM – MODEL SB885IX3

| | |
|--|--|
| Touch and gestures | Users can interact with the interactive whiteboard using the included pens or other objects or by using their fingers to write, erase and perform mouse functions. The Object Awareness feature enables you to pick up a pen, and then write, select or erase without replacing the pen. This interactive whiteboard also features gesture capability, providing a natural and flexible way to interact with content. |
| Digitizing technology | Four-camera DViT® (Digital Vision Touch) technology with steel coated dry erase surface |
| Pen tray | Optical sensors in the pen tray detect when you lift a pen or eraser from the tray. Color buttons on the pen tray enable you to select pen color. |
| Accessories | Two ergonomic pens with comfort grip and rectangular eraser |
| Extended Control Panel (ECP) | SB885ix3 – included with the system, not pre-attached to the pen tray |
| Included cables and hardware SB885ix3 | 14' 9" (4.5 m) power cable Infrared remote control 16' 5" (5 m) USB cable 13' 5.5" (4.1 m) 3.5 mm stereo audio cable Projector wiring harness |
| Theft protection | SB800 system – Kensington security slot |

Connectors

| | |
|-----------------------------|--|
| Projector connectors | 3.5 mm phone jack VGA 1 audio input 3.5 mm phone jack line out (×2) DB15F RGB VGA video input (VGA In) DB15F RGB VGA video output (VGA Out) DB9F RS-232 control port HDMI 1.4 input (×2) Power (100V–240V AC at 50 Hz–60 Hz) USB B receptacle (for service use only) RJ45 Ethernet connector 7-pin mini-DIN for ECP data 4-pin mini-DIN 5V/2A output for ECP USB HUB/switch power RCA analog audio and composite video (red, white and yellow) Microphone 3.5 mm USB A receptacle (for HDMI streaming device), power only +5 VDC |
| ECP connectors | RJ11 6-wire SMART Hub™ SE collaboration platform DB15-M ECP harness cable to projector RCA (×3) Composite video and associated audio inputs USB A USB drive or peripheral devices (not included) USB B Primary computer (desktop label) USB B Secondary computer (laptop label) |

Computer Requirements

| | |
|-----------------|--|
| SB885ix3 | Windows® operating system or Mac operating system software and SMART Notebook® collaborative learning software installed. For a complete list of computer requirements, go to smarttech.com/downloads and browse to the latest SMART Notebook software release notes applicable to your operating system. |
|-----------------|--|

Storage and operating requirements

| | |
|---|--|
| Power requirements and consumption | 100V–240V AC at 50 Hz–60 Hz |
| Full mode | 360 W |
| ECO mode | 290 W |
| Standby mode | 0.5 W |
| Operating temperature | |
| Interactive whiteboard | 41°F to 95°F (5°C to 35°C) from 0' to 6000' (0 m to 1800 m) 41°F to 86°F (5°C to 30°C) from 6000' to 9800' (1800 m to 3000 m) |
| Projector | Standard speed: 41°F to 95°F (5°C to 35°C) from 0' to 6000' (0 m to 1800 m) High speed: 41°F to 86°F (5°C to 30°C) from 6000' to 6800' (1800 m to 2100 m) |
| Storage temperature | -4°F (-20°C) to 122°F (50°C) |
| Humidity | Up to 85% storage relative humidity, non-condensing Up to 85% operating relative humidity, non-condensing |

Certification and compliance

Regulatory certification CE, CB, CCC, CE, C-Tick, FCC, KC, NOM, PSB, PSE, UL/CSA(U.S./Canada) and VCCI

Environmental compliance

| | |
|----------------|---|
| China | EIP |
| European Union | REACH, RoHS, WEEE, Battery, Packaging and ErP Standby |
| U.S. | Packaging and Conflict Minerals |

Warranty

Interactive whiteboard Two-year limited equipment warranty OR
Five-year limited equipment warranty upon registration

Projector Three-year limited equipment warranty

Projector lamp 1000-hour/one-year warranty

ECP Three-year limited equipment warranty

Purchasing information

Order numbers

| | |
|----------|--|
| SB885ix3 | 87" (221 cm) diagonal SMART Board interactive whiteboard with a SMART U100w projector system. Includes a SMART Notebook software installation DVD. |
| 1026952 | Replacement lamp module for SMART U100 and U100w projectors |
| 1013576 | Projector mounting kit (see smarttech.com/kb/160505) |

Optional extended warranty

| | |
|------------|--|
| EWY1-U100w | SMART U100w projector one-year warranty extension (at time of projector purchase only) |
| EWY2-U100w | SMART U100w projector two-year warranty extension (at time of projector purchase only) |

Optional accessories Also see smarttech.com/accessories

| | |
|---------|--|
| 1013458 | VGA connection kit for SMART Board 800 series interactive whiteboards. |
| 1016404 | RCA connector pod for SMART Board 800 series interactive whiteboards. |

smarttech.com/support

smarttech.com/contactsupport

© 2015 SMART Technologies ULC. All rights reserved. SMART Board, smarttech, the SMART logo and all SMART taglines are trademarks or registered trademarks of SMART Technologies ULC in the U.S. and/or other countries. All third-party product and company names may be trademarks of their respective owners. This product and/or use thereof covered by one or more of the following U.S. patents. www.smarttech.com/patents. Contents are subject to change without notice. 04/2015.